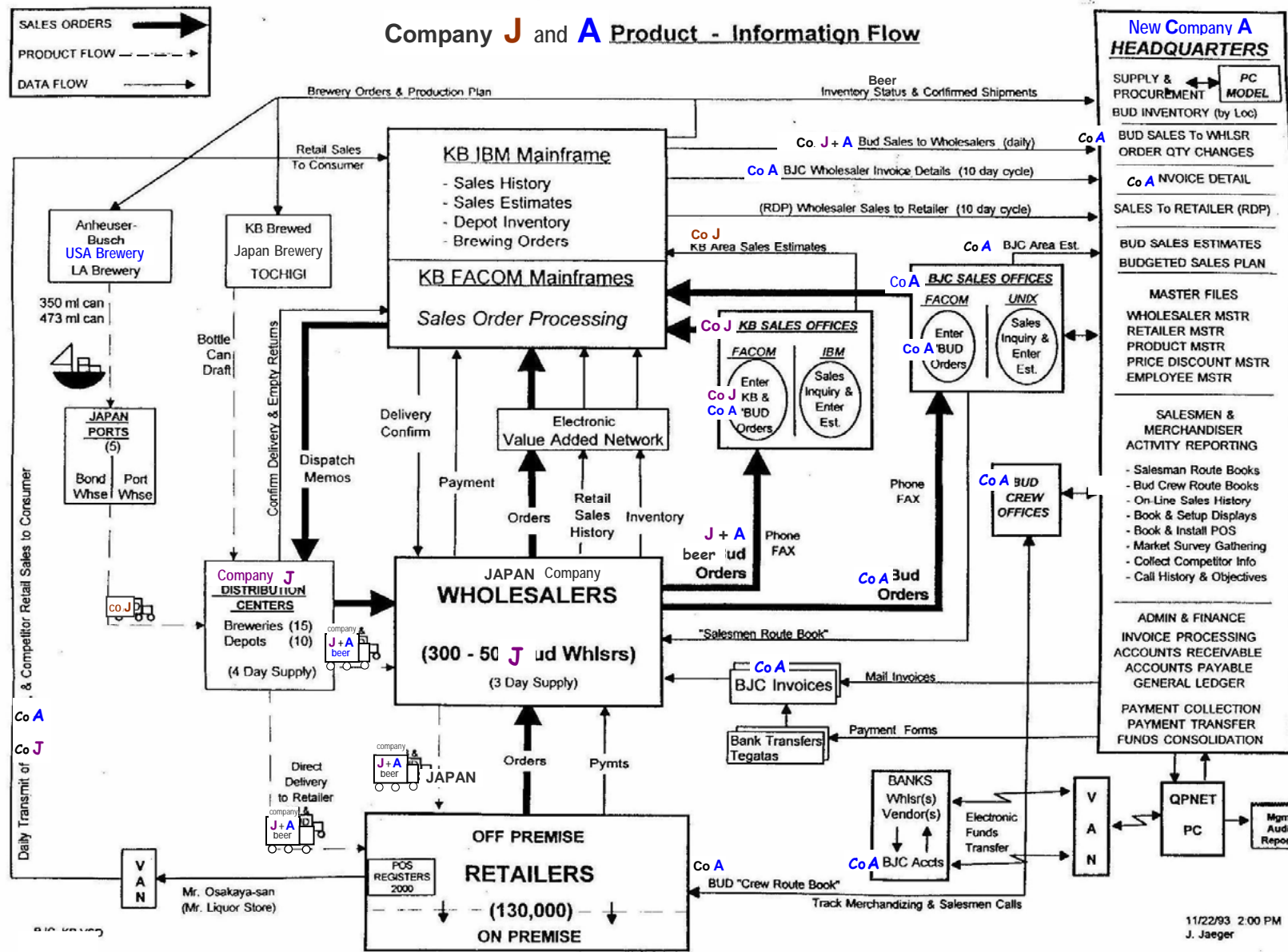




Project Scope: Develop new IT system that would support American company [A] and Japanese company [J] partnering in new joint business venture. The hurdle was meeting Japan's FTC rules of engagement... new sales order processing, A/R, and logistics systems had to be built to interface with existing logistics systems.

Process Roadmap



My heart goes out to Japan. I worked with several software engineers from the SENDAI area. 1993 -1994 JFJ